



## PAR12X12L

12x 12W LED RGBWAU Parcan with IR Remote

## USER MANUAL



**For your safety, please read this user manual carefully before use.**

Event Lighting reserves the right to revise the manual at any time. Information and specifications within this manual are subject to change without notice. Event Lighting assumes no liability or responsibility for any errors or omissions. Please contact your local Kookaburra Account Manager.

Version 1.0 (revised F November 2021)

# Safety Instructions

## Warning

- Do not open this device, there are no user serviceable parts inside. Risk of electric shock.
- Do not look directly at the light source from close range.
- Avoid contact with the unit during operation, as the housing may become hot. Allow the fixture to cool for at least 15 minutes after turning off before touching.
- Install this device in a location with adequate ventilation, at least 50cm from adjacent surfaces.
- Do not operate this device, or connect this device to power, within 50cm of any flammable material.
- Use a safety chain when mounting this device overhead.
- Do not operate this device outdoors where excessive dust, heat, water, or humidity may affect it.
- Do not operate this device if the housing, lenses, or cables appear damaged.
- Do not connect this device to a dimmer or rheostat.
- Do not operate this device at temperatures higher than 40°C (104°F).
- **Only** connect this device to a grounded and protected circuit.
- **Only** use the hanging bracket to carry this device.
- Stop using this device immediately if a serious operating problem becomes apparent.

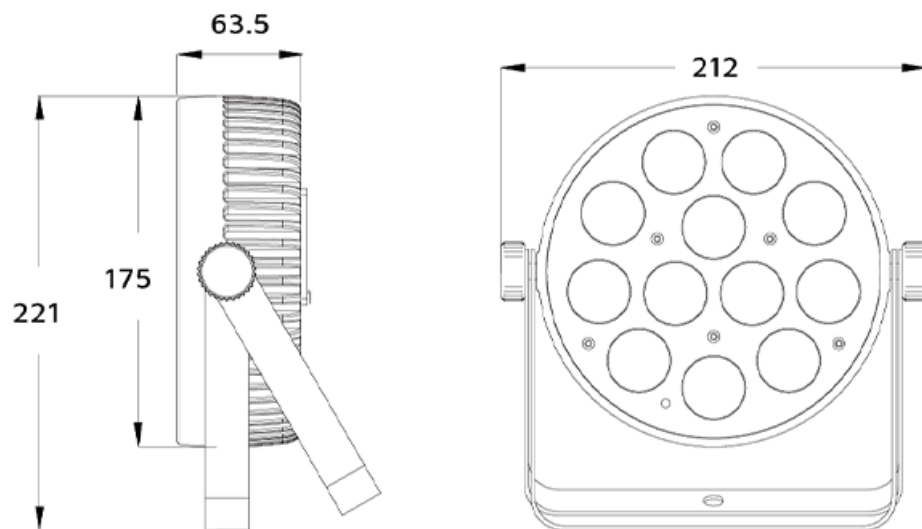
## Coin/Button Cell Battery Safety Information

This product includes an IR remote that contains a coin/button cell battery. If the battery is swallowed, it can cause severe internal burns and, in extreme cases, can lead to death. Keep batteries away from children.

## Product Installation

PAR12X12L can be mounted in many orientations, provided each individual device is secured by the use of the correct mounting bracket. Use a safety chain when mounting PAR12X12L overhead.

## Dimensions



## Lux Chart

### Lux chart @40° (PAR12X12L)

	1m	2m	3m	4m	5m
	Ø0.73	Ø1.46	Ø2.18	Ø2.91	Ø3.64
R	1,445	409	180	93	70
G	2,030	570	250	130	95
B	2,910	882	270	171	126
W	2,420	734	322	171	126
A	850	258	120	66	46
UV	840	264	120	66	49
FULL	8,550	2,580	1,123	543	423

# Control Board Operation

## Menu Map

<b>Addr</b>	->	<b>d 1</b>	-	<b>05 12</b>	Select DMX address
<b>CHNL</b>	->	<b>CH-1</b>	or	<b>CH-2</b>	Select DMX channel mode (CH-1: 6ch / CH-2: 11ch)
<b>SP--</b>	->	<b>SP 0</b>	-	<b>SP99</b>	Set program speed
<b>Pr--</b>	->	<b>Pr 1</b>	-	<b>Pr 13</b>	Select built-in program
<b>SOUN</b>	->	<b>Sou</b>	Select sound active mode		
<b>Colo</b>	->	<b>C 1</b>	-	<b>C 15</b>	Select static colour mode (See static colour mode chart below)
<b>Strb</b>	->	<b>S. 00</b>	-	<b>S. 20</b>	Set strobe speed (Hz)
<b>rL--</b>	->	<b>r 0</b>	-	<b>r255</b>	Set red colour intensity
<b>gL--</b>	->	<b>G 0</b>	-	<b>G255</b>	Set green colour intensity
<b>bL--</b>	->	<b>b 0</b>	-	<b>b255</b>	Set blue colour intensity
<b>uL--</b>	->	<b>U 0</b>	-	<b>U255</b>	Set white colour intensity
<b>yL--</b>	->	<b>Y 0</b>	-	<b>Y255</b>	Set amber colour intensity
<b>PL--</b>	->	<b>P 0</b>	-	<b>P255</b>	Set UV colour intensity
<b>node</b>	->	<b>nod0</b>	-	<b>nod4</b>	Set dimmer speed (nod0: fastest / nod4: slowest)
<b>LED</b>	->	<b>off</b>	or	<b>on</b>	Toggle LED display on / off
	->	<b>t048</b>	Long press "Enter" button to show current temperature		
<b>VERn</b>	->	<b>V01</b>	Show current software version		
<b>rSET</b>	->	<b>no</b>	or	<b>YES</b>	Restore settings to factory default

## Static Colour Mode

Value	Function
C1	Red
C2	Green
C3	Red+Green
C4	Blue
C5	Blue+Red+UV
C6	Green+Blue
C7	Red +Green+Blue+Amber+UV
C8	White
C9	Red+White
C10	Green+White
C11	Red+Amber
C12	Blue+White+UV
C13	Red + Blue+White+UV
C14	Red + Blue+White
C15	Red+Green+Blue+White+Amber+UV

## DMX Chart

### 6 Channel Mode

Channel	Value	Function
1	000-255	Red: 0% ~ 100%
2	000-255	Green: 0% ~ 100%
3	000-255	Blue: 0% ~ 100%
4	000-255	White: 0% ~ 100%
5	000-255	Amber: 0% ~ 100%
6	000-255	UV: 0% ~ 100%

## 11 Channel Mode

Channel	Value	Function	Note
1	000-255	Master DIMMER 0% ~ 100%	
2	000-255	Red: 0% ~ 100%	
3	000-255	Green: 0% ~ 100%	
4	000-255	Blue: 0% ~ 100%	
5	000-255	White: 0% ~ 100%	
6	000-255	Amber: 0% ~ 100%	
7	000-255	UV: 0% ~ 100%	
8	000-012	Strobe OFF	
	013-255	Strobe (slow-fast)	
9	000-009	No Function	
	010-019	Program 1	
	020-029	Program 2	
	030-039	Program 3	
	040-049	Program 4	
	050-059	Program 5	
	060-069	Program 6	
	070-079	Program 7	
	080-089	Program 8	
	090-099	Program 9	
	100-109	Program 10	
	110-119	Program 11	
	120-129	Program 12	
	130-139	Program 13	
140-255	Sound active mode		
10	000-255	Speed of auto programs (slow ~ fast)	Ch9 must be set between 10-139
11	000-255	Colour fade time (jump ~ fade)	Mode must be set to "nod0"

## IR Remote

In order to use the IR Remote, PAR12X12L must be in DMX mode without an active DMX connection. If a DMX signal is received, PAR12X12L will prioritise the DMX signal and ignore the IR Remote.

Use **On/Off** to turn PAR12X12L on or off. The current IR settings will be saved automatically when PAR12X12L is powered off and reloaded when it is turned on again. To reset to the factory default Blackout mode, long press **Off**.

Press **R/G/B/W/A/U** to light up the LEDs in red, green, blue, white, amber or UV respectively. Press a number **0-9** in the orange shaded area to select a pre-set colour.

Press **+** to increase the intensity of the selected colour and **-** to decrease the intensity of the selected colour.

Press **Auto/Sound/Strobe** to switch on or off Auto mode, Sound Active mode and Strobe mode, respectively.

Press **Blackout** to clear all the remote settings and blackout PAR12X12L.



# Technical Specifications

## Photometric

- Light Source: 12x FGW RGBWAWU 6-in-1 LEDs
- Beam Angle: 40°
- PWM: 2,000 Hz
- LED Lifespan: 50,000hours

## Effects

- Dimming: 0~100%
- Strobe: 1 - 20 Hz

## Power

- Input Voltage: 100~240V AC, 50/60Hz
- Power Consumption: 60W
- Connection: IEC in/out

## Control

- Operation Modes: DMX, manual, auto, sound active, IR remote, master/slave
- DMX channels: 6/11

## Housing

- Materials: Die cast aluminium, matte black finish
- Cooling: Fanless Cooling
- Net weight: 1.85kg

## Warranty

Please contact your local Kookaburra Account Manager.



# KONTROL36

6 x RGBWAU fixture DMX controller

## USER MANUAL



**For safety, please read this user manual carefully before initial use.**

Event Lighting reserves the right to revise the manual at any time. Information and specifications within this manual are subject to change without notice. Event Lighting assumes no liability or responsibility for any errors or omissions.

Please contact your local Kookaburra Account Manager.

# Safety Instructions

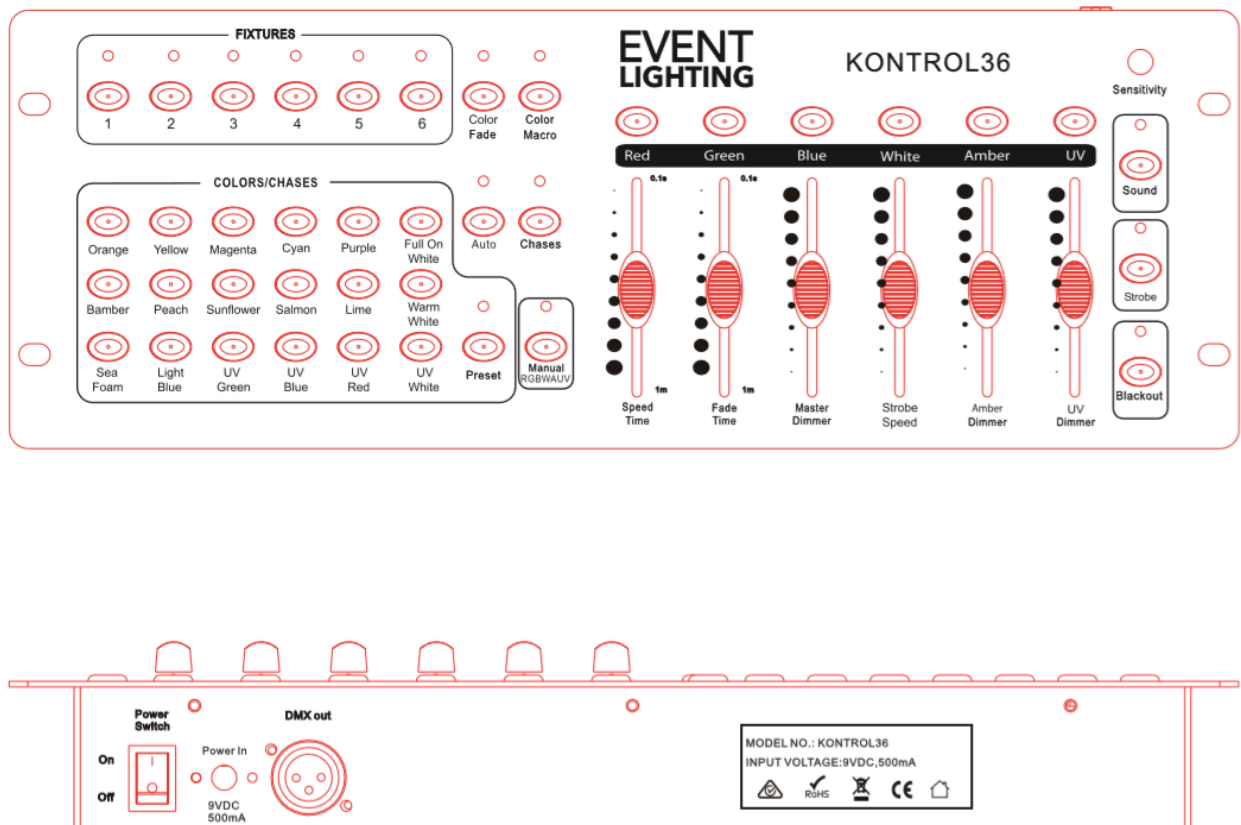
## WARNING

- Do not open this device, there is no user-serviceable parts inside. Risk of electric shock.
- Do not operate this device outdoors or in any location where dust, excessive heat, water, or humidity may affect it.
- Do not connect this device to a dimmer or rheostat.
- The maximum ambient temperature is 104° F (40° C). Do not operate this device at higher temperatures.

# Product description

The KONTROL36 is a compact DMX controller designed for an independent control of up to six fixtures with a RGBWAU control mode.

Fixtures can be doubled up on addresses to allow control of more than six fixtures.



---

# Control Surface

## Fixtures

The KONTROL36 has six fixture buttons allowing independent control of your fixtures.

By selecting a fixture the corresponding LED will light up and the dimming sliders will then control the fixtures six channels.

Multiple fixtures can be selected at one time.

## Manual RGBW

The KONTROL36 has a manual control function, selecting this mode by pressing the Manual RGBWAU button then, select the fixture you want to control and then you can manually adjust the colours by the 6 sliders.

## Colour Fade

The KONTROL36 has a built in Colour fader program, selecting this mode will fade the colours of all selected fixtures. Speed, Fade time, Master Dimmer, Sound and sound level can be set prior or after selecting this mode.

## Auto

The KONTROL36 has built in automatic random colour programs. Selecting this mode will start the program of selected fixtures. Speed, Fade time, Master Dimmer, Sound and sound level can be set prior or after selecting this mode.

## Chases

The KONTROL36 has built in chase programs. Selecting this mode will start the program on selected fixtures and the mode can be change by selecting presets which are based on the following table. Speed, Fade time, Master Dimmer, Sound and sound level can be set prior or after selecting this mode.

Orange	Yellow	Magenta	Cyan	Purple	F White	Bamber	Peach	Sunflower
Red / Green	Green / Blue	Red / Blue	Red / Cyan	Green / Magenta	Yellow / Blue	White / Blackout	Colour Cycle	Yellow / Magenta

Salmon	Lime	Warm White	Sea Foam	Light Blue	Green UV	Blue UV	Red UV	White UV
Red / Green	Green / Blue	Red / Blue	Red / Cyan	Green / Magenta	Yellow / Blue	White / Blackout	Colour Cycle	Yellow / Magenta

## Preset Mode

The KONTROL36 has preset colour presets, selecting this mode allows you to select the colours from the 18 buttons.

First, select the fixture you want to control and then select the colour from the preset buttons. Master dimmer, fade time and speed can be set prior to selecting the colour.

## Colour Macro Mode

The KONTROL36 has preset colour macros, selecting this mode allows you to select the colours from the Speed slider.

First, select the fixture you want to control and then select the colour from the Speed slider. Master dimmer and fade time can be set prior and after selecting the colour.

---

## Follow Mode

The KONTROL36 has colour follow chaser mode, selecting the Colour fade and the Auto button will activate this mode. Speed, Fade time, Master Dimmer, Sound and sound level can be set prior or after selecting this mode.

## Sound

The KONTROL36 has built in microphone which can be used in Auto and Chasers modes, the sensitivity can be adjusted by the sound knob.

## Strobe

The KONTROL36 has built in strobe function. The rate of the strobe can be adjusted by the Strobe slider

## DMX Addresses

Fixtures should be set to the following addresses to be controlled by the Kontrol36

Fixture 1 = Address 1

Fixture 2 = Address 7

Fixture 3 = Address 13

Fixture 4 = Address 19

Fixture 5 = Address 25

Fixture 6 = Address 31

## TECHNICAL SPECIFICATIONS

DMX512 protocol with 36channels

Independent control of 6 fixtures, 6ch each (RGBWAU)

Each fixture can be set in different playback modes simultaneously

Sound-activated: synchronized music activation through internal microphone with adjustable sensitivity

Preset: 18 color preset for an immediate operation

Macro: Virtual color wheel to scroll the whole color spectrum

Variable fade times for all playback modes

Variable strobe 0-30Hz

Slider for master dimmer

Adjustable blackout allows fixtures to fade out

Power: 9V DC 500mA

MIDI Signal: 5 din pin standard interface

Dimensions: 393 x 140 x 50 mm

Weight: 1.5kg

## WARRANTY

Please contact your local Kookaburra Account Manager.